

# HX-7W

SPEAKER SYSTEM

The HX-7W is a 2-way compact speaker system that permits both constant directivity control over a wide frequency range and changes in vertical directivity. Its adopted wave front control technology is ideal for reproducing clear sound in spaces with long reverberation times or high background noise. The HX-7W is designed for indoor use.



Article number HX-7W

## Specifications

Frequency response	75 Hz - 20 kHz
Connection	Speakon NL4MP x 2 and M4 screw terminal, distance between barriers: 9 mm (0.35")
Sensitivity (1#W, 1#n)	100 dB
Speaker component	Low frequency: 13 cm cone-type x 8; High frequency: Wave front control horn with compression driver x 4
Directivity angle horizontal	100 °
Rated input (High Impedance)	250 W
Rated impedance	8 Ω
Crossover frequency	2 kHz
Rated Input (Low Impedance)	Continuous pink noise: 250 W (IEC60268-5: 350 W) / Continuous program: 750 W
Dimensions (W x H x D)	497 x 664 x 274 mm
Dimensions (ø x D)	x 274 mm
Finish	Polypropylene resin, paint, traffic white (RAL 9016 or equivalent),
Operating humidity	90% at 40°C, 2 h
Operating temperature	-10°C ~ +50°C

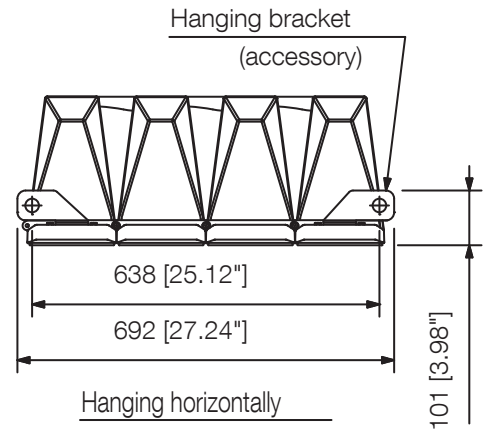
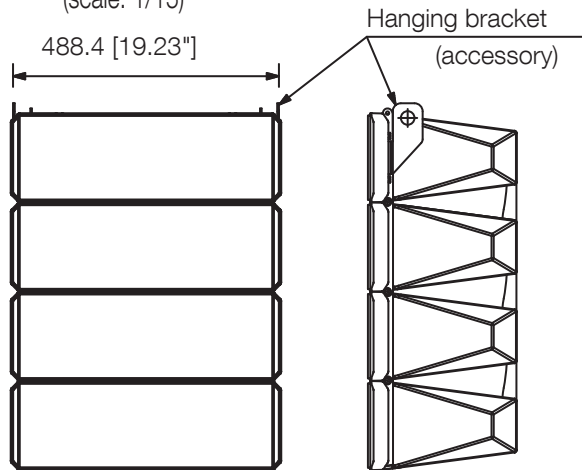
Appearance

Example for hanging bracket mounting

(scale: 1/15)

488.4 [19.23"]

Hanging vertically



Hanging horizontally

UNIT:mm

SCALE:1/10